

# bella link suite



## Technical Data:

### Description

Enclosed pan with ceramic cistern, plastic link and seat, providing a contemporary easy clean design. The wide setout range allows for flexible installation into renovations or new construction. The pan features a boxed rim for directional flushing and full internal glazing.

### Colour

Whitel only

### Set-out details

S-Trap 165mm – 280mm.

### Inlet Options

Bottom Inlet RHS with LHS option plug.

### Seat

Medium duty plastic seat and lid incorporating the link.

### Fixation / Brackets

Fixing plate and screws are supplied for attaching cistern to the wall.

Floor brackets and screws are supplied as standard to secure toilet pan to the floor in preference to mortar bed.

### Installation

Utilising supplied floor mount brackets with a silicone seal is recommended.

The pan may also be secured to the floor using a sand cement mixture of 3 parts sand to 1 part cement. The use of lime, coloured mortar, quick dry products or any additives will void all product warranty.

### Packaging

Supplied in one carton.

### Weight

34.5kg

### Warranty

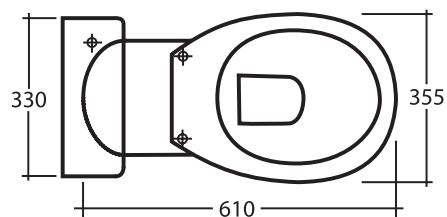
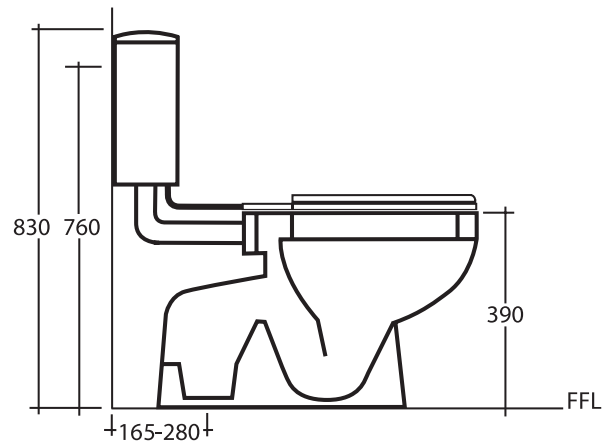
Ceramic – 10 years

Internal parts – 1 year

For full details see warranty certificate enclosed in packaging.

### Note

All dimensions are in millimeters and are subject to standard manufacturing variations. RAK Bathware Pty Ltd reserves the right to change any or all specifications without prior notice.



[www.rakbathware.com.au](http://www.rakbathware.com.au) • 1300 661 727

Tolerance 5 5% for below 200mm and 5 3% for above 200mm.



Proudly manufactured by

**R.A.K. CERAMICS**

